

<The machine for virtualizing prints>



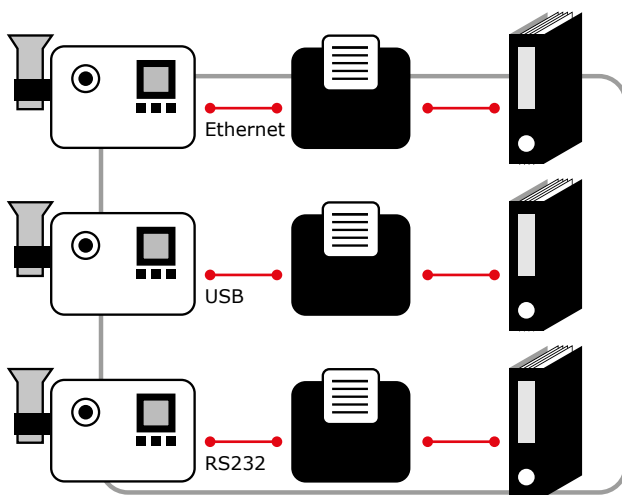
SOCePRINT

VIRTUALIZING PRINTS

SOCePRINT – replaces old print technology with PDF and machine readable data

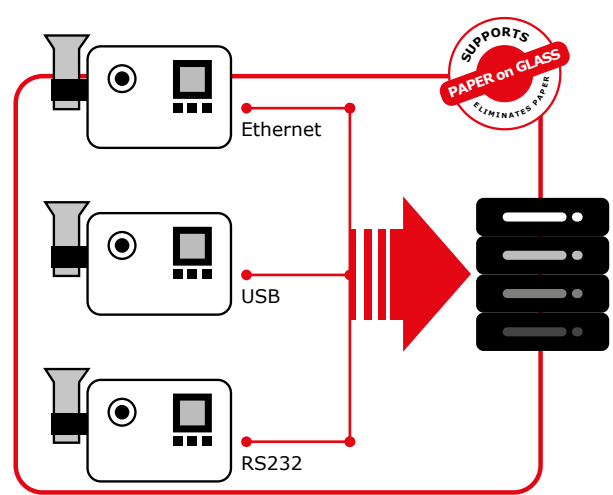
EXAMPLE

Traditional lab system



- Each system has its own printer.
- Thermo-, Matrix- or Laser prints
- Manual handling and lots of maintenance
- Dust in the room from prints

Smart upgrade to digital lab system



- Electronic print converted to PDF/A-3
- Print electronically directly to domain/file share

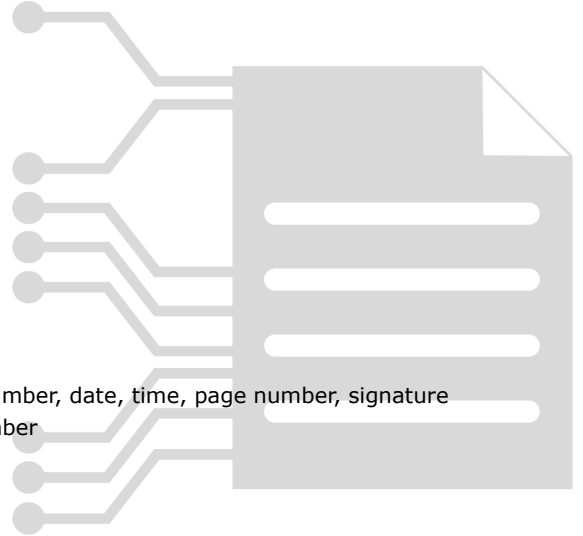
Typical use cases

- A scale used in a laboratory. Instead of the scale being connected to a (e.g. thermal) printer, the SOCePRINT grabs the print and via pre-defined credentials signs and saves the print as a PDF/A on the file share.
- Another example of usage could be a chromatograph where the result is desired to be automatically placed in a document handling system such as Veeva Vault®. The user simply uses the chromatograph in the ordinary fashion and upon completion SOCePRINT transfer the print as PDF/A to Veeva Vault®.
- In security, a printer logging the access to the server room is replaced with SOCePRINT and the logging is amended to the PDF/A log file, which is placed on the security file share on a defined interval.



Key features

- Auto print (act like a printer)
- Technically compliant to regulatory requirements
- Easy to qualify
- Supports file shares
- Supports domain security
- General security considerations and test available
- Supports valid data transfer with audit trail
- Supports machine and human readable data
- Ensure data integrity via PDF/A format
- Easy setup/configuration
- Machine readable data embedded in PDF/A file
- Can create sub-dirs. on a share, sort by date
- Ability to auto sign documents with certificate
- Supports meta data (e.g. instrument ID)
- User Interface where you can add batch number, ID number, date, time, page number, signature
- Barcode scanner support for scanning batch or ID number
- Eliminates paper and supports "Paper on Glass"
- E-mail captured print
- Can interface via USB, Ethernet and RS232 via USB
- Can also interface via WiFi (WiFi can be entirely disabled)



What we can deliver

- Ability to integrate to Veeva Vault® and LIMS systems
- Analysis and development of new protocols
- Native support of ASCII, PCL and Postscript
- Support of additional protocols as they become available
- Help to installation
- Qualification services

Deliveries

We can deliver support with installation and validation of SOCePrint installations:

- Standard documentation for the device (internal SOC test)
- Standard security challenge test (can in addition be done in collaboration with customers IT security dept.)
- A suggested technical procedure for how to perform an installation validation
- Various templates for further installation and validation

Standard validation of the system is based on a printout from the original setup, and comparison to the PDF print. Other validation methods can be applied, based on T&M.

